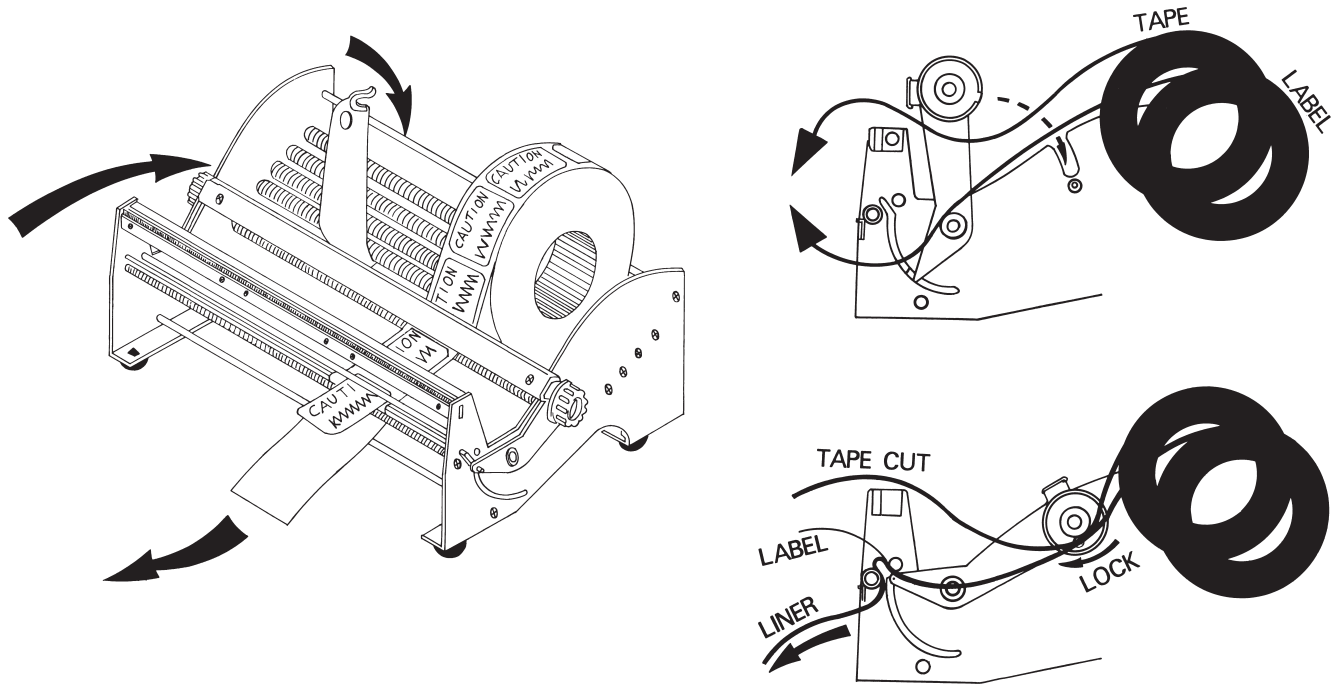


MULTIPLE TAPE AND LABEL DISPENSER INSTRUCTIONS



STEP 1 - Rotate forward both plastic knobs on side of load and lock bar to unlock.

STEP 2 - Pull plastic knobs until they are in full forward position.

STEP 3 - Set rolls for tape and/or labels on base rollers so adhesive side faces down.

STEP 4 - Tape: Pull end of roll about 5" forward.

Labels: Pull end of roll about 10" forward over bottom metal bars.

STEP 5 - Install roll separators between rolls.

STEP 6 - Push back the plastic knobs on load and lock bar into their original position and lock.

STEP 7 - Tape: Pull end to the cutting bridge.

Labels: Pull end forward slowly to dispense label from liner.